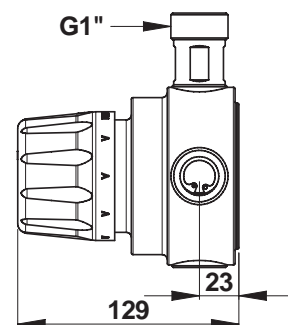
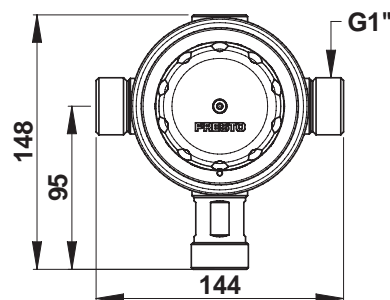


Range: MIXING VALVE

Ref: 84007 - PRESTOTHERM 84L



#### > Working pressure :

- 1 to 5 bar
- Maximum static pressure : 10 bars
- Dynamic pressure : 0.2 à 6 bars max
- Pressure variation from inlets : 2:1 max

#### > Flow :

- Maximum : 84 L/min at 3 bars
- Minimum : 6 L/min at 3 bars

#### > Temperature :

- Temperature factory setting : 40°C
- Outlet temperature adjustment range : 35 to 55°C
- Hot water inlet temperature : 85°C max
- Cold water inlet temperature : 5 at 25°C
- Minimum temperature differenciation : 15°C (entre entrée eau chaude et sortie mitigée)
- Temperature stability (nominal) : ± 3°C

#### > Hydraulic supply :

- G 1" (26x34) inlet and outlet
- Hot water with red O-ring wear and cold water with blue O-ring wear

#### > Thermal resistance :

- Designed to withstand thermal shocks at temperatures over 75°C during 30 min

#### > Security :

- Anti-scald system: flow is immediately stopped if the cold water is cut off
- Possibility to block the temperature internally

#### > Delivered with :

- 2 Filter gaskets
- 2 NF check valves

#### > Standards & approvals :

- 200-hour neutral salt spray resistant (NSS) in accordance with ISO 9227
- Chrome plated brass body in accordance with EN 1982, EN 12164, EN 12165