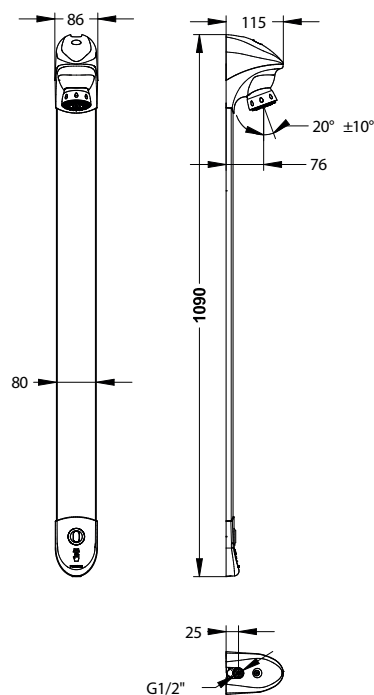


Range: Shower - DL 400 E SENSOR

Ref: 27471 - Single electronic / sensor shower tap with battery and straight stop valve



> Working pressure:

- 1 to 5 bar

> Flow:

- 6 to 8 l/mn at 3 bar with integrated flow regulator
- Anti-water-hammering design
- Fixed shower head with orientable shower jet and anti-limescale spikes

> Operation:

- Hygienic electronic detection cell suitable for elderly and disabled people
- Detection range of the hand in front of the cell : 10 cm

> Flow time:

- 30 seconds - Adjustable through PRESTOCOM
- Start / Stop function. Stop not possible during the first 10 seconds - Adjustable through PRESTOCOM
- Adjustable duration and frequency of duty flush function through PRESTOCOM

> Hydraulic supply:

- G 1/2" (15x21) top water inlet with straight stop valve
- For cold or premixed water

> Power supply:

- 6 volt CRP2 lithium battery in integrated box

> Material and colour finish:

- Injected molded metal body and cover
- Extruded profile in Aluminium-Magnésium-Silicium alloy 6060

> Thermal resistance:

- Resistant to a temperature of 75°C for 30 minute-thermal-shocks

> Security:

- Pre-set 30 seconds duty-flush every 24 hours after the last use to avoid growth of bacteria (legionella, pseudomonas ...) adjustable through PRESTOCOM : http://www.prestodatashare.com/espacedoc/Notes_Annexes/Documents/Q5347.pdf
- Automatic shut-off of the solenoid valve in case of dead battery

> Shipped with:

- VBA screws and nylon plugs
- MF G 1/2" stop valve and filters

> Standard & approvals:

- Molded chrome-plated body in accordance with EN 12540
- 200-hour neutral salt spray resistant (NSS) in accordance with ISO 9227
- Brass UBA List compliant

