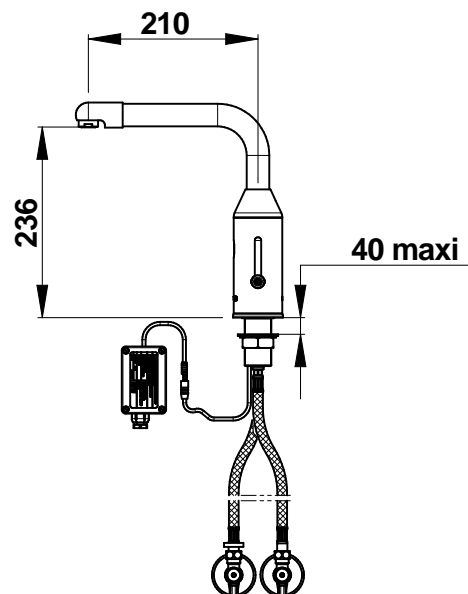


**Range:** PRESTO 5750

**Ref:** 55136 - Deck-mounted sensor mixer for washbasin with standard spout, fixed base, mains



#### > Working pressure :

- 1 to 5 bar

#### > Operation:

- Starts and stops automatically by hand detection
- Sensor trigger suitable for PRM, elderly, children and disabled people

#### > Flow :

- 6l/min with regulated star-shaped flow straightener (to limit biofilm fixation)
- Anti-water-hammering design

#### > Hydraulic supply :

- F G 3/8" (12x17) hoses

#### > Power supply :

- Mains with 230 V AC / 7 V DC transformer in IP65 waterproof case

#### > Material and colour finish :

- Chrome-plated brass body
- Chrome-plated brass base
- Smooth spout and body without water nor bacteria retention

#### > Thermal resistance :

- Resistant to a temperature of 75°C for 30-minute-thermal-shocks

#### > Security :

- Anti-overflow security time set to 30 seconds preventing the water to flow continuously
- Periodic hygienic 30 seconds duty flush, every 72 hours after last use
- Automatic shutdown of solenoid valve in case of power failure or sensor damage

#### > Delivered with :

- 1 Brass clamping nut
- 1 Seal and washer
- 2 PEX hoses with 3/8" (12x17) female nut with integrated filters and NF check valves
- 2 Stop valves with filters for wall/bracket mounting
- 1 Self-adhesive sticker

#### > Standards & approvals :

- Brass body in accordance with EN 1982, EN 12164, EN 12165
- Resistant to salt spray 200 H (NSS test) in accordance with standard/ NF ISO 9227

