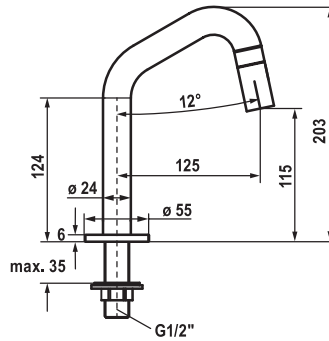


KWC PILLAR TAP



KWC-No.	Finish
25.001.011.700 A 125, G 1/2"	stainless steel
25.001.011.751 A 125, G 1/2"	industrial black

Vertical shut-off valve

- Operating handle integrated into the spout
- Fixed spout
 - Neoperl® Caché®
- Ceramic disc valve 1/2" 90°
- Connecting thread 1/2"
- Mounting hole size ø22mm or ø35mm