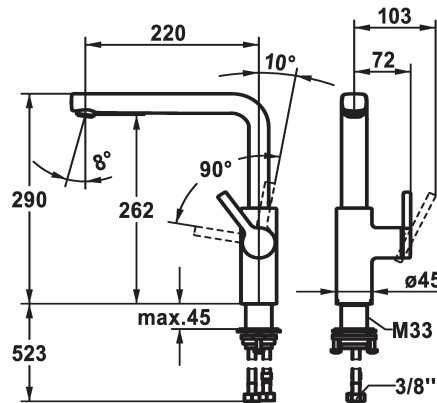


## KWC AVA 2.0 Lever mixer - Kitchen

Modell-Linie: AVA 2.0 | 10.461.012.000FL ++  
Taps | Manual taps



### KWC-No.

#### 10.461.012.000FL

all chrome, A 220, flexible connection hoses

#### 10.461.012.176FL

matt black, A 220, flexible connection hoses

#### 10.461.012.177FL

brushed steel, A 220, flexible connection hoses

- Lever installation only possible on the right side
    - Child safety: cold water flow in lever position towards the front
  - gap between wall and centre of mounting hole min. 20 mm
  - SwivelStop - swivel spout 150°, extensible to 360°
    - Neoperl® Cascade® SLC
  - OptimalSpace - ample space for washing or working
  - KWC cartridge M 35 S
    - with ceramic discs
    - flow rate and temperature continuously variable
  - temperature limitation
  - Flexible connection hoses 3/8"
  - QuickInstallation - Fastening via threaded connection with locking screws
  - • Mounting hole size ø35 mm
  - To be ordered separately (optional or if necessary):
    - Swivel range limited to 120° Z.538.320
- Acoustic group I  
Spray outlet: Flow rate 12 l/min (3 bar)

NEW

