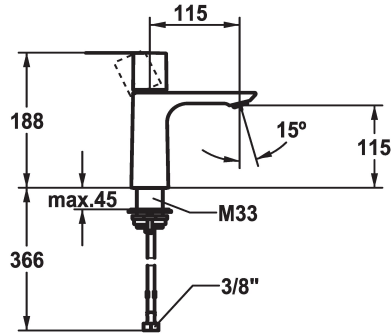


## KWC ORA Lever mixer - Basin

Modell-Linie: ORA | 12.498.641.000FL ++  
Taps | Manual taps



### KWC-No.

#### 12.498.051.000FL

all chrome, A 115, flexible connection hoses, without pop-up valve

#### 12.498.641.000FL

all chrome, A 115, flexible connection hoses, with Push Open

- EcoProtect - water-saving device
  - Fixed spout
    - Neoperl® Perlator® SSR, swivelling jet regulator
  - KWC cartridge M 35 OP
    - with ceramic discs
    - flow rate and temperature continuously variable
  - Flexible connection hoses 3/8"
  - QuickInstallation - Fastening via threaded connection with locking screws
  - Mounting hole size  $\varnothing 35$  mm
- Flow rate 4 l/min (3 bar)  
Acoustic group I

NEW

