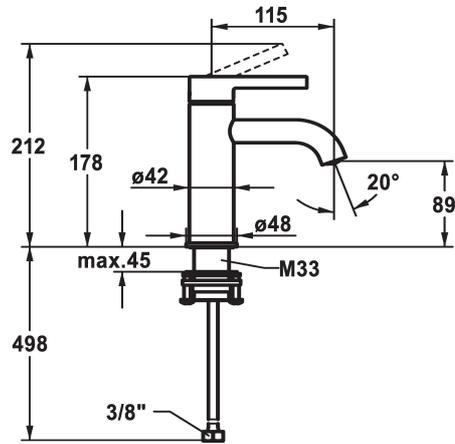


## KWC BEVO Lever mixer - Basin

Modell-Linie: **BEVO | 12.421.041.000FL ++**  
Taps | Manual taps



### KWC-No.

#### 12.421.041.000FL

all chrome, A 115, flexible connection hoses, with pop-up valve

#### 12.421.051.000FL

all chrome, A 115, flexible connection hoses, without pop-up valve

- EcoProtect - water-saving device
- Fixed spout
  - Neoperl® Caché® CS, Coin Slot
- KWC cartridge M 35 OP
  - with ceramic discs
  - flow rate and temperature continuously variable
  - temperature limitation
- Flexible connection hoses 3/8"
- QuickInstallation - Fastening via threaded connection with locking screws
- Mounting hole size 35 mm
- Flow rate 5 l/min (3 bar)
- Acoustic group I

